

# Installation Instructions

## InView Firmware Update

Catalog Number 2706



**InView**™

<b>Topic</b>	<b>Page</b>
Hazardous Voltage	3
Change EEPROM on 2706-P72, 2760-P74	
Display	3
Change EEPROM on 2706-P42, 2760-P44	
Display	5
Firmware Upgrade Kit	7

## Important User Information

Solid state equipment has operational characteristics differing from those of electromechanical equipment. Safety Guidelines for the Application, Installation and Maintenance of Solid State Controls (Publication SGI-1.1 available from your local Rockwell Automation sales office or online at <http://literature.rockwellautomation.com>) describes some important differences between solid state equipment and hard-wired electromechanical devices. Because of this difference, and also because of the wide variety of uses for solid state equipment, all persons responsible for applying this equipment must satisfy themselves that each intended application of this equipment is acceptable.





In no event will Rockwell Automation, Inc. be responsible or liable for indirect or consequential damages resulting from the use or application of this equipment.

The examples and diagrams in this manual are included solely for illustrative purposes. Because of the many variables and requirements associated with any particular installation, Rockwell Automation, Inc. cannot assume responsibility or liability for actual use based on the examples and diagrams.

No patent liability is assumed by Rockwell Automation, Inc. with respect to use of information, circuits, equipment, or software described in this manual.

Reproduction of the contents of this manual, in whole or in part, without written permission of Rockwell Automation, Inc., is prohibited.

Throughout this manual, when necessary, we use notes to make you aware of safety considerations.

<p><b>WARNING</b></p> 	Identifies information about practices or circumstances that can cause an explosion in a hazardous environment, which may lead to personal injury or death, property damage, or economic loss.
<p><b>IMPORTANT</b></p>	Identifies information that is critical for successful application and understanding of the product.
<p><b>ATTENTION</b></p> 	Identifies information about practices or circumstances that can lead to personal injury or death, property damage, or economic loss. Attentions help you identify a hazard, avoid a hazard and recognize the consequences.
<p><b>SHOCK HAZARD</b></p> 	Labels may be on or inside the equipment (for example, drive or motor) to alert people that dangerous voltage may be present.
<p><b>BURN HAZARD</b></p> 	Labels may be on or inside the equipment (for example, drive or motor) to alert people that surfaces may reach dangerous temperatures.

## Hazardous Voltage

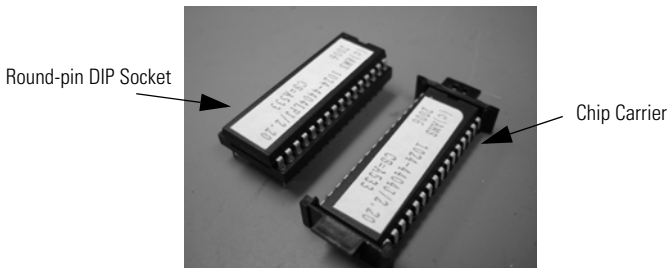
### ATTENTION

Hazardous voltage. Contact with high voltage may cause death or serious injury. Always disconnect power to sign prior to servicing.



## Change EPROM on 2706-P72, 2706-P74 Display

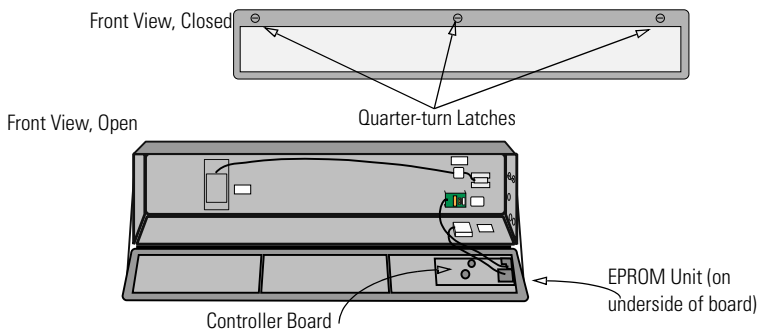
The firmware kit comes with two EPROMs. One is a chip carrier type and the other is a round-pin DIP socket with the chip installed. Use the one that fits your controller board.



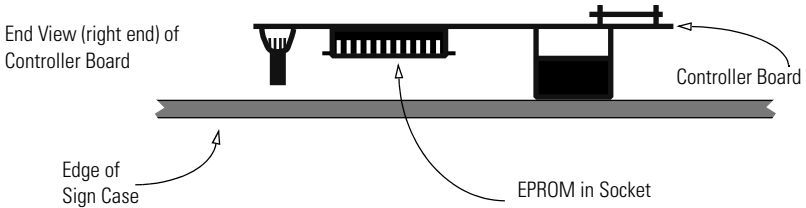
Follow these steps to change the EPROM on the 2706-P72 and 2706-P74 displays.

1. Open the front of the sign case by turning the latches to the left.

Carefully let the front of the case drop forward.



2. For the chip carrier type, on the underside of the controller board, firmly pull down on the end tabs of the EPROM and carefully pull it out of the socket.



3. For the round-pin DIP socket type, use a small screwdriver to pry the two sockets apart.

**TIP**

Note the location of the pin 1 identifier for reference while installing the new chip.



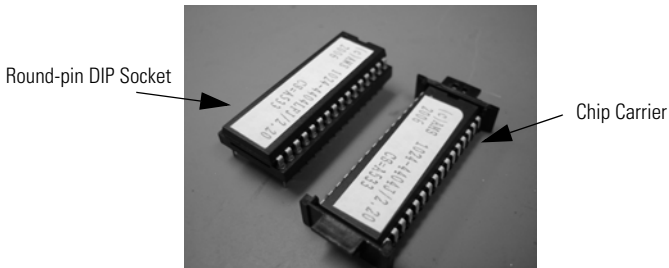
4. Matching the side notches of the new EPROM to the socket, press the new EPROM firmly into the socket.

The notch is at pin 1 on the EPROM.

5. Carefully close the sign and tighten the latches.

## Change EPROM on 2706-P42, 2706-P44 Displays

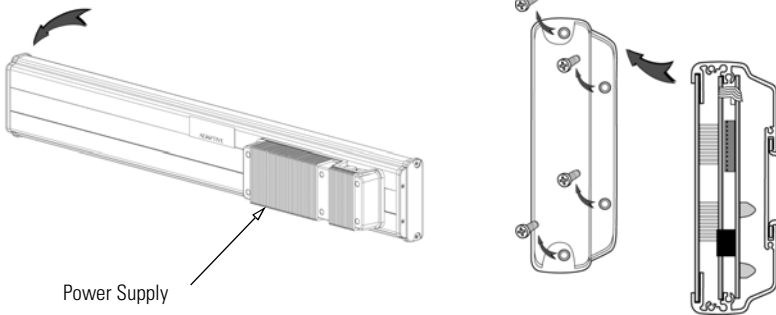
The firmware kit comes with two EPROMs. One is a chip carrier type and the other is a round-pin DIP socket with the chip installed. Use the one that fits your controller board.



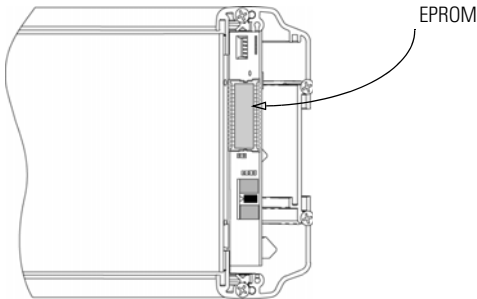
The EPROM is located at the end of the sign opposite the power supply.

Follow these steps to change the EPROM on the 2706-P42, and 2706-P44 displays.

1. Remove the four screws holding the end cover by using a #2 Phillips screwdriver.



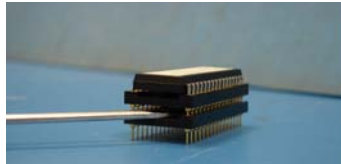
2. For the chip carrier type, firmly pull down on the end tabs of the EPROM and carefully pull it out of the socket.



3. For the round-pin DIP socket type, use a small screwdriver to pry the two sockets apart.

**TIP**

Note the location of the pin 1 identifier for reference while installing the new chip.



4. Matching the side notches of the new EPROM to the socket, press the new EPROM firmly into the socket.
5. Replace the end cover and screws and torque end cover screws to 2.7 N•m (24 lb•in).

## Firmware Upgrade Kit

These are the available InView display firmware-upgrade kits.

<b>Product Cat. No.</b>	<b>Firmware Upgrade Kit Cat. No.</b>
2706-P42R	2706-FRNP42R
2706-P42C	2706-FRNP42C
2706-P44R	2706-FRNP44R
2706-P44C	2706-FRNP44C
2706-P72CN1 and 2706-P72CN2	2706-FRNP72C
2706-P74CN1 and 2706-P74CN2	2706-FRNP74C

# Rockwell Automation Support

Rockwell Automation provides technical information on the Web to assist you in using its products. At <http://support.rockwellautomation.com>, you can find technical manuals, a knowledge base of FAQs, technical and application notes, sample code and links to software service packs, and a MySupport feature that you can customize to make the best use of these tools.

For an additional level of technical phone support for installation, configuration and troubleshooting, we offer TechConnect support programs. For more information, contact your local distributor or Rockwell Automation representative, or visit <http://support.rockwellautomation.com>.

## Installation Assistance

If you experience a problem within the first 24 hours of installation, please review the information that's contained in this manual. You can also contact a special Customer Support number for initial help in getting your product up and running.

United States	1.440.646.3434 Monday – Friday, 8 a.m. – 5 p.m. EST
Outside United States	Please contact your local Rockwell Automation representative for any technical support issues.

## New Product Satisfaction Return

Rockwell Automation tests all of its products to ensure that they are fully operational when shipped from the manufacturing facility. However, if your product is not functioning and needs to be returned, follow these procedures.

United States	Contact your distributor. You must provide a Customer Support case number (call the phone number above to obtain one) to your distributor in order to complete the return process.
Outside United States	Please contact your local Rockwell Automation representative for the return procedure.

Allen-Bradley, Rockwell Automation, InView, and TechConnect are trademarks of Rockwell Automation, Inc.

Trademarks not belonging to Rockwell Automation are property of their respective companies.

[www.rockwellautomation.com](http://www.rockwellautomation.com)

### Power, Control and Information Solutions Headquarters

Americas: Rockwell Automation, 1201 South Second Street, Milwaukee, WI 53204-2496 USA, Tel: (1) 414.382.2000, Fax: (1) 414.382.4444

Europe/Middle East/Africa: Rockwell Automation, Vorstlaan/Boulevard du Souverain 36, 1170 Brussels, Belgium, Tel: (32) 2 663 0600, Fax: (32) 2 663 0640

Asia Pacific: Rockwell Automation, Level 14, Core F, Cyberport 3, 100 Cyberport Road, Hong Kong, Tel: (852) 2887 4788, Fax: (852) 2508 1846

Publication 2706-IN009C-EN-P - June 2008

PN 41061-268-01(3)

Supersedes Publication 2706-IN009B-EN-P - March 2002

Copyright © 2008 Rockwell Automation, Inc. All rights reserved. Printed in the U.S.A.