

The selection table below (*Table 1*) lists available Allen-Bradley pre-wired cables and AIFM modules that best fit our Spectrum 1746 analog modules. For details on the Allen-Bradley 1492 pre-wired systems, please refer to <http://www.ab.com/industrialcontrols/products/wiring/>

Table 1

Spectrum Cat. No.	Description	AB AIFM Cat. No.	AB Cable Cat. No.
1746sc-CTR4	4-channel 50KHz Counter or Turbine Flow Meter Input Module.	1492-AIFM4-3	1492-ACABLEA
1746sc-CTR8	8-channel 50KHz Counter or Turbine Flow Meter Input Module.	1492-AIFM8-3	1492-ACABLEC
1746sc-NI8U	8-channel Universal Analog Input Module for 1746.	1492-AIFM8-3	1492-ACABLEC
1746sc-INI4I or VI	Isolated 4 channel Analog Input Module	1492-AIFM4-3	1492-ACABLEA
1746sc-INO4I or VI	Isolated 4 channel Analog Output Module	1492-AIFM4-3	1492-ACABLEA
1746sc-NO8I or V	8-channel Analog Output	1492-AIFM8-3	1492-ACABLEC

Figure 1 describes the correct wiring for Spectrum analog modules including wire colors and individual pin numbers of the D-shell connector. **Please note that the terminal blocks that accompany the 1492 pre-wired cables are not compatible with the Spectrum analog modules and must be discarded.**

The selection table below (*Table 2*) lists available Allen-Bradley pre-wired cables and IFM modules that best fit our Spectrum 1746 discrete modules. For details on the Allen-Bradley 1492 pre-wired systems, please refer to <http://www.ab.com/industrialcontrols/products/wiring/>

Table 2

Spectrum Cat. No.	Description	AB IFM Cat. No.	AB Cable Cat. No.
1746sc-IA8I	8-channel Isolated 100/120 Vac/dc Input Module	1492-IFM20F or IFM20FN	1492-CABLEA
1746sc-IB8I	8-channel Isolated 24 Vdc Input Module	1492-IFM20F or IFM20FN	1492-CABLEB
1746sc-IC8I	8-channel Isolated 48 Vdc Input Module	1492-IFM20F or IFM20FN	1492-CABLEB
1746sc-IM8I	8-channel Isolated 200/240 Vac/dc Input Module	NA	NA
1746sc-OAP8I	8-channel Isolated 74 to 276 Vac Triac Output, 1.5 A per Point	1492-IFM20F or IFM20FN (132v Max 120 Nominal)	1492-CABLEA

Figure 1

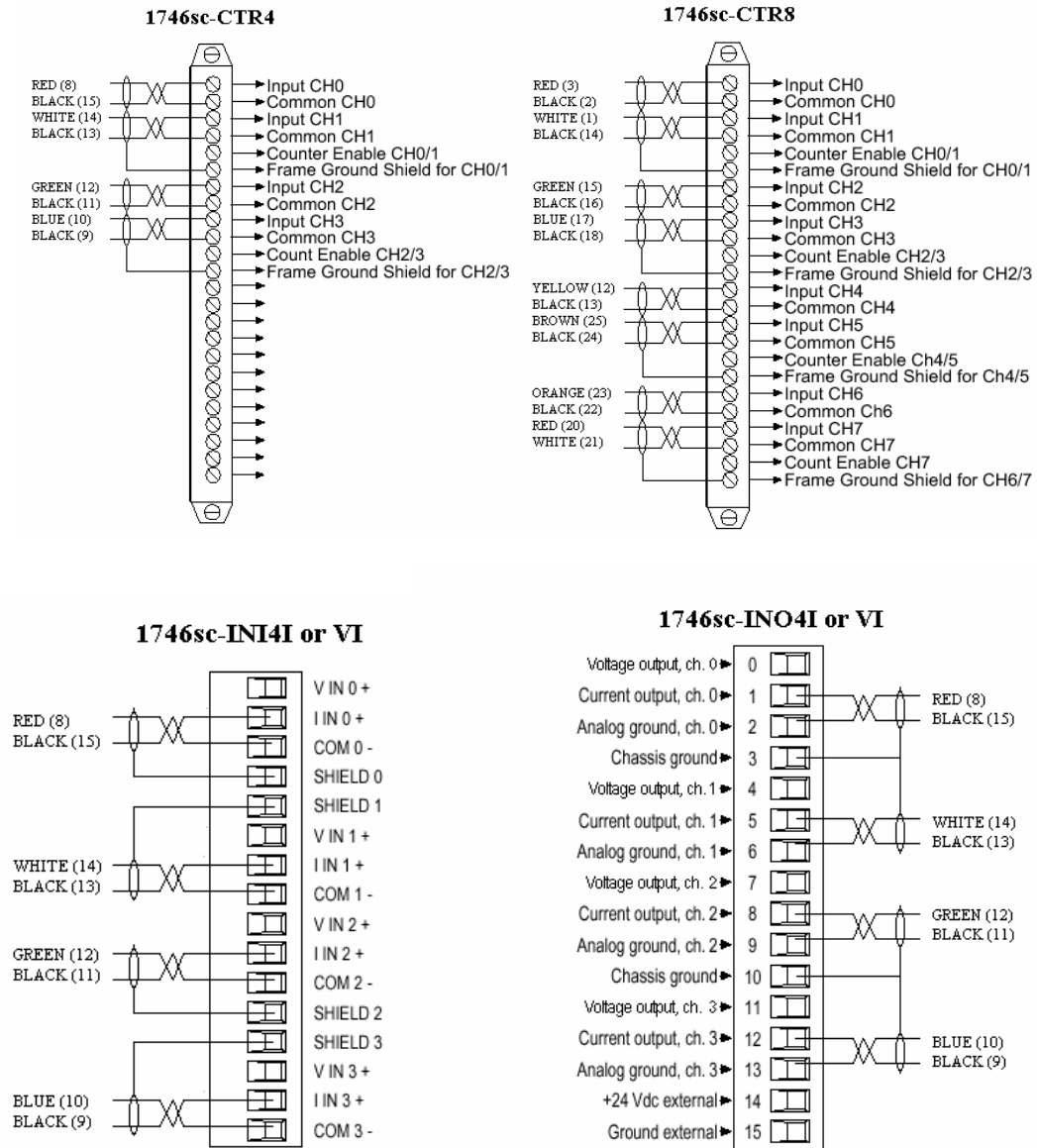
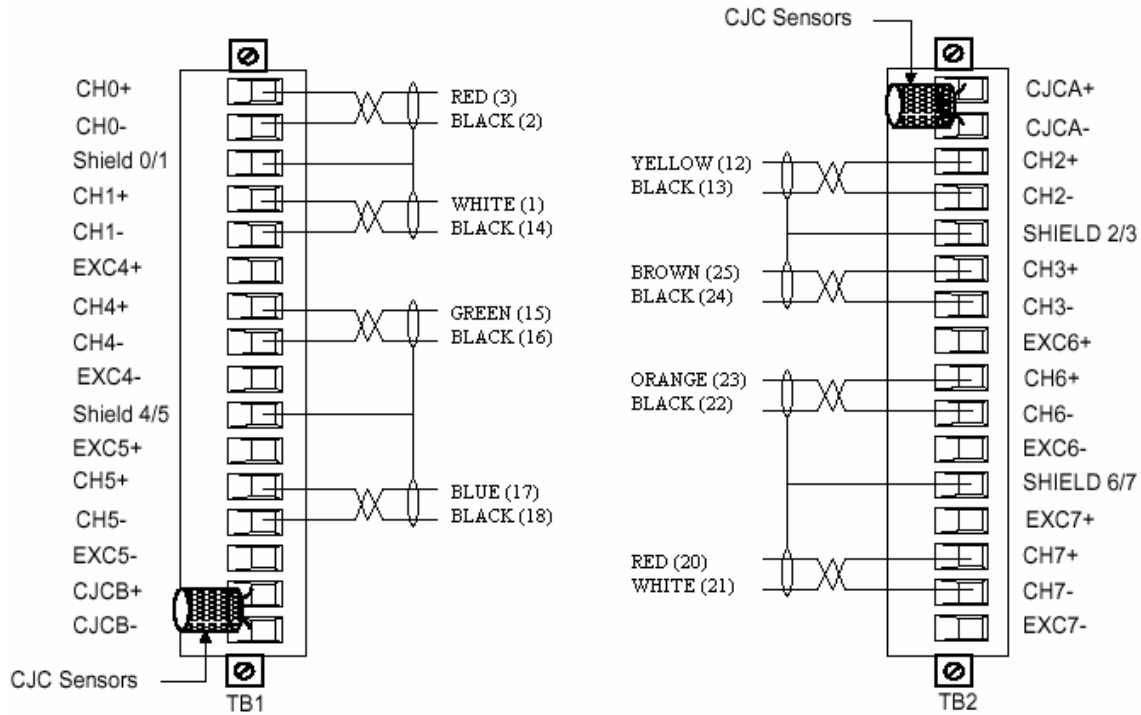


Figure 1 Cont.

1746sc-NI8U



1746sc-NO8v & NO8I

